

OR2015 | 10th International Conference on Open Repositories

June 8-11, 2015, Indianapolis, Indiana, USA

Federated Networks of Open Access Repositories in Mexico and Latin America

Rosalina Vázquez Tapia, alinavn@uaslp.mx
Autonomous University of San Luis Potosí UASLP
General Coordinator of REMERI

Antonio Felipe Razo Rodríguez, antrazo@gmail.com
University Corporation for the Development of Internet CUDI ,
Iberoamericana University Puebla IBERO

Mexican Network of Institutional Repositories

- REMERI is a federated network of institutional and thematic repositories of Mexican universities and research centers.
- REMERI collects, integrates, promotes and disseminate open access scientific, academic and documentary production.



<http://www.remeri.org.mx/english/>

Background

- REMERI was created in 2012 by a group of six universities with public funding from National Council of Science and Technology (CONACYT).
- Goal: Create a common interoperable infrastructure of Mexican digital repositories for interconnection with federated networks



Miembros Fundadores



Consejo Nacional de
Ciencia y Tecnología

Background

- REMERI is being developed by a General Coordinator, a Technical Manager and supporting staff.
- REMERI is now funded by the University Corporation for Internet Development in Mexico (CUDI for its acronym in Spanish)



Context

- Open Access to scientific literature through repositories has grown significantly in recent years, promoting the creation of federated networks at national and regional level.
- In November 2012, nine countries in Latin America signed an agreement to develop the Federated Network of Institutional Repositories of Scientific Publications- LA Referencia.

Context

- REMERI is the national network that represents Mexico in LA-Referencia project since 2012
- It is the national network that incorporates the largest amount of Spanish records to LA-Referencia, 111,637 (second after Brasil in total records)
- It totally complies with LA-Referencia requirements based on DRIVER interoperability guidelines.

LA-Referencia Project

LA REFERENCIA visibilizando LA ciencia
RED FEDERADA DE REPOSITORIOS INSTITUCIONALES DE PUBLICACIONES CIENTÍFICAS

A los **2** años de la Declaración de Buenos Aires

Buscador Regional de Publicaciones Científicas **¡NUEVO VISOR!**

- Más de 800 mil artículos y tesis
- Interfaz para dispositivos móviles
- Busqueda rápida y eficaz
- Con más estadísticas

México

REMERI Red Mexicana de Repositorios Institucionales

Ver más sobre esta red

¿Qué es el buscador regional? ¿Cómo crecemos? ¿Quiénes participan?

NOTICIAS

07/04/2015 - 22:22
Ecuador presenta nodo nacional de repositorios institucionales

Ecuador dio a conocer la Red de Repositorios de Acceso Abierto -RRAAE-, como el nodo...

Tweets

RepositoriosLA @RepositoriosLA
Ecuador presenta nodo nacional de repositorios institucionales.

Visite el buscador regional de publicaci

<http://lareferencia.redclara.net/rfr/>

<http://www.lareferencia.info>

REMERI-OR

LA REFERENCIA visibilizando LA ciencia

INICIO PAÍSES ESTADÍSTICAS EXPLORAR USUARIO ACERCA DE

RED FEDERADA DE REPOSITORIOS INSTITUCIONALES DE PUBLICACIONES CIENTÍFICAS

Integramos los repositorios de nueve países de América Latina

BÚSQUDA

Todos los Campos

Busqueda Avanzada Buscar

EXPLORAR MAPAS CONCEPTUALES

SITIO INSTITUCIONAL

¿Qué es el buscador regional?

Servicio que apoya las estrategias nacionales de Acceso Abierto en América Latina mediante una plataforma con estándares de interoperabilidad. A partir de nodos nacionales, se integran artículos científicos, tesis doctorales y de maestría provenientes de más de un centenar de universidades e instituciones de investigación. Esta experiencia se basa en acuerdos técnicos y organizativos entre organismos públicos de ciencia y tecnología (Ministerios y Dincytz) de los países miembros, conjuntamente con RedCLARA.

Conozcan más

9 Nodos nacionales	804 599 Documentos	489 996 Artículos	98 499 Tesis de Doctorado
		1776 Reportes	222 324 Tesis de Maestría

Noticias destacadas

Development

- The technology platform of REMERI consists of a web portal and a harvester-aggregator named INDIXE, developed specifically for the project with XML technology (XQuery / XMLDB) using an open source platform (eXist / Tomcat).

The image displays three screenshots of web portals related to the REMERI project. The left screenshot shows the REMERI website with a banner for '100 REPOSITORIES INCORPORATED' and statistics: 108 Repositories, 61 Mexican Institutions, and 434,374 Documents. The middle screenshot shows the INDIXE website, titled 'INDIXE de Producción Científica', with a search bar and navigation links. The right screenshot shows the 'INDIXE de Revistas y Publicaciones Periódicas' website, featuring a bar chart titled 'Producción de Artículos por Año' and a table of statistics.

Source	Artículos	Revistas
UNAM	32,356	105
reDalyC.org	48,651	123
ScipLo	18,554	110
REDALYC	937	12
UV	-	-
Total	100,498	350

Development

INDIXE implements the following services and tools:

- OAI-PMH validator for metadata providers
- Collection harvester
- Metadata normalization
- Metadata search and retrieval
- OAI-PMH data provider for the collection
- DRIVER compliant data provider for LA-Referencia

Actual situation (May, 2015)

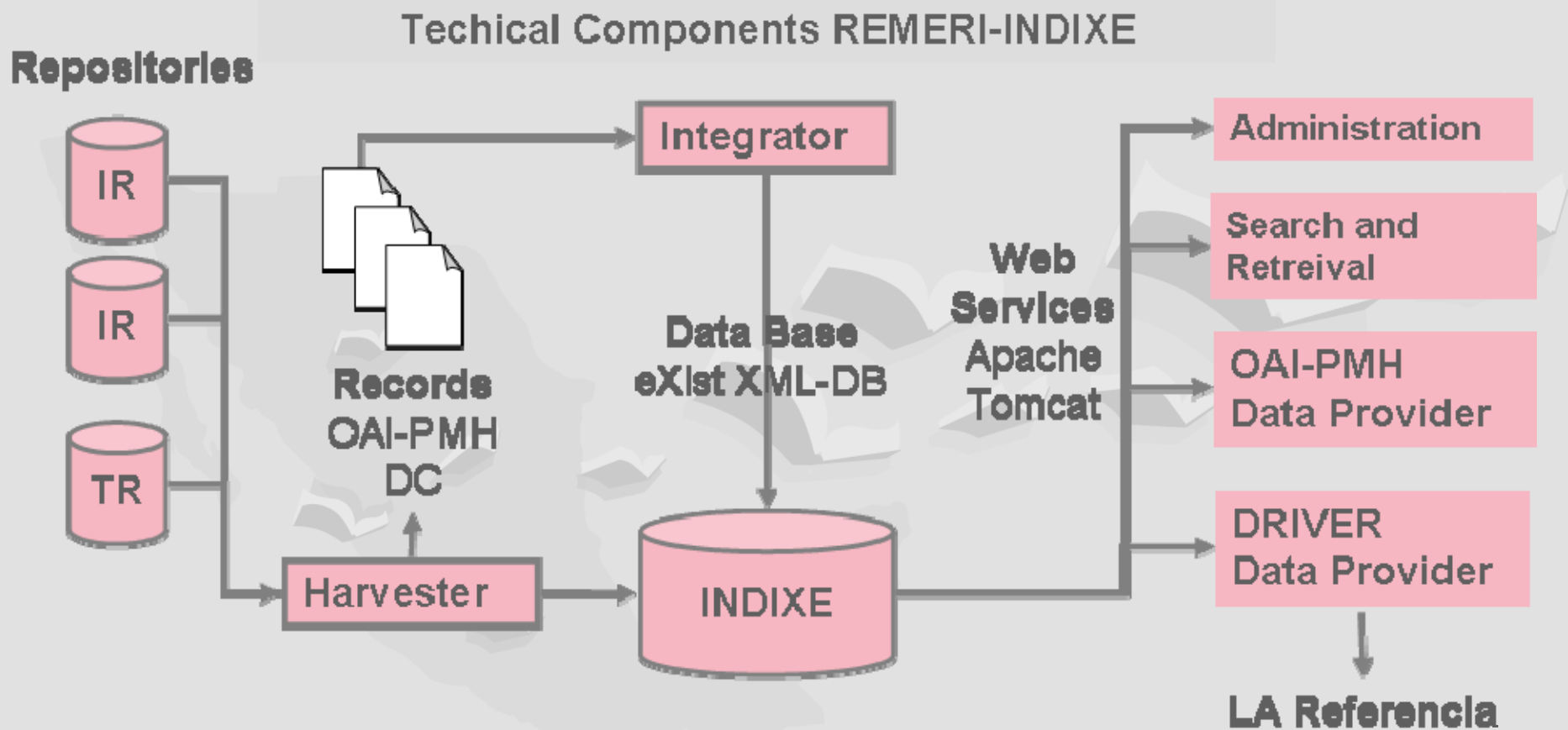
REMERI integrates information from:

- 61 Mexican institutions and research centers
- 108 institutional and thematic repositories
- 430K documents including research papers, bachelor, master and doctoral theses, videos and presentations mostly in Spanish.

Architecture

- INDIXE stores and process the metadata in the XML format
- Metadata harvesting, normalization, integration, search and retrieval is implemented using the XQuery language
- The database (eXist) indexes the collection with Lucene using a combination of vector-space and boolean models.
- The solution is scalable, compact, efficient, and multiplatform.

Architecture



Interoperability

The experience in this project has allowed us to identify common problems in different elements of repositories Dublin Core metadata, such as:

dc : identifier

It is common in the case of the DSpace to show the identifier with a handle when this is not active, other repositories use the server IP or the term "localhost".

dc : type

It is common to find the *type* "other" or records without *type*. Some times we have to analyze the collections in order to assign the correct *type*.

Interoperability

dc : date

It is common to find more than one occurrence for dates, we try to identify the record publishing date.

dc : publisher

In the case of theses and dissertations, when the publisher is not mentioned, the institution provides the title which is assigned to the metadata.

Interoperability

- Only “full-harvesting” is made on the repositories, we do not handle deleted or duplicated records
- There are a lot of changes in IP, ports and domain names to be aware
- Some repositories do not implement a metadata provider service, so information is collected manually to be integrated into the database.

New Services

- Directory of Institutional Repositories (103 IR),
- Institutional Scientific Production Indicators (55K articles and 67K postgraduate theses),
- INDIXE of Mexican Open Access Journals (350 journals and 100K articles)
- INDIXE of Mexican Theses and Dissertations (250K resources).
- INDIXE of Documentary Heritage (in development).

Challenges

- Promote the correct implementation of metadata providers
- Standardize types, dates, identifiers, publisher, and author names according to La-Referencia new guidelines (OpenAIR)
- Promote the creation of new Institutional Repositories

Challenges

- Promote the creation of Open Access Mandates
- Integrate REMERI with the National Repository of Mexican Science (in development)
- Collaborate with CONACYT in training for technical and management skills.

Thank you four your attention

Rosalina Vázquez Tapia, alinavn@uaslp.mx

Antonio Felipe Razo Rodríguez, antrazo@gmail.com



REMERI

Mexican Network
of Institutional
Repositories

<http://www.remeri.org.mx>